

Robertshaw®

9505

ECONOMY
NON-PROGRAMMABLE
THERMOSTAT



GAS



ELECTRIC



OIL



MILLIVOLT



1 Heat

Temperature Control Made Simple

We work hard at finding logical solutions to fit your every installation need. And we've come up with the clear alternative to traditional mechanical thermostats. **Go digital.** Our large LCD display makes reading the temperature easy and accurate. This environmentally safe, mercury-free thermostat requires no leveling, so there's no hassle, and no special disposal requirements.

Compatibility? No question. The 9505 is compatible with all standard 24 Volt AC or millivolt heating systems.

When you select a Robertshaw thermostat, you've made the choice of an industry partner that's been making quality products for 100 years. Come home to affordable comfort. Come home to RobertshawSM.

Features and Benefits

Quick Connect Wiring

Fast and easy installation. Uses sturdy wire clamps – no wrap-around of screws.

Large Digital Display

Makes viewing and setting the temperature easy and accurate.

Low Temperature Protection

Heat automatically turns on when temperature goes below 40°F. Protects pipes from freezing.

Adjustable Temperature Differential

Maintains optimal customer comfort.

Positive-Off Switch

Assured shutdown of HVAC system.

Toll-Free Assistance

Toll-Free Technical Service number printed right on the thermostat provides immediate assistance.



Technical service available:

1-800-445-8299

M-F 7:00 a.m. - 5:30 p.m. CST



Robertshaw®

9505

ECONOMY
NON-PROGRAMMABLE
THERMOSTAT



GAS



ELECTRIC

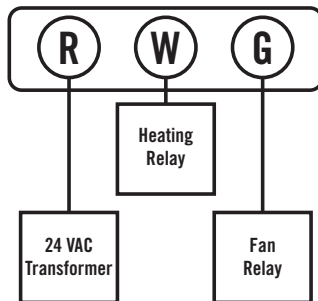


OIL



MILLIVOLT

Terminal Designations



1 Heat

THE ROBERTSHAW 9505 REPLACES:

Maple Chase	09505
Robertshaw	300-211
Honeywell, Inc.*	T87

* Verify specific application requirements before substitution.

Specifications

Electrical rating: 24 Volt AC (18-30 VAC) and millivolt (250mV-750mV)

1 amp maximum load per terminal

2 amp total maximum load (all terminals combined)

Temperature control range: 45° - 90°F (7° - 32°C)

Accuracy: +/-1°F (+/- .5°C)

DC power: 3.0 Volt

(2 "AA" alkaline batteries included)

System configurations: 2-3 wire gas, oil, or electric heating systems

Terminations: R, W, G

Shipping Information

Indiv. Ctn. Dim.: 6.75" x 4.375" x 1.625"

Master Ctn. Qty.: 6

Master Ctn. Dim.: 9.25" x 5.625" x 7.625"

Master Ctn. Cu. Ft.: .23

Master Ctn. Wt.: 4.0 lbs.

Max. Pallet Qty.: 1170

Max. Pallet Dim.: 40" x 48" x 48"

Max. Pallet Cu. Ft.: 53.33

Max. Pallet Wt.: 835 lbs.

Other Single-Stage Heat Thermostats

986-1: Mechanical

9204: Mercury-Free Deluxe Mechanical

9205: Mercury-Free Deluxe Mechanical, Millivolt

invensys.

Controls Americas

515 South Promenade Avenue

Corona California 92879-1736 USA

Customer Service Telephone +1 800 951 5526

Customer Service Facsimile +1 630 260 7299

icccustomerservice@invensys.com

www.icca.invensys.com

©2005 Invensys Controls Americas - #150-1399D

For Technical Service

Telephone +1 800 445 8299

Facsimile +1 630 260 7243

technicalservice@invensys.com

Distributed by: