

Robertshaw®

300-229

DELUXE
PROGRAMMABLE
THERMOSTAT



GAS



ELECTRIC



7 Day Programmable
2 Heat / 2 Cool



Features and Benefits

Contemporary Design

Compliments any décor.

Large Digital Display

Makes viewing and setting the temperature easy and accurate.

Auto Changeover

Automatically switches into heat or cool mode. Prevents having to manually change system from heat to cool.

3-Hour Temporary Program Override

Allows for manual temperature adjustment.

2 or 4 Events Per Day

Customizable for any environment.

Occupancy Terminal

A set of dry contacts allows control of fresh air dampers, security lighting, etc., for occupied and unoccupied periods.

LED Indicators

Two customizable LEDs for selectable fault indicators.

EEPROM Memory

Electronic memory storage with no batteries to replace.

Automatic Compressor Short Cycle Protection

A system safeguard. Reduces wear and tear of HVAC equipment.

Progressive Recovery

Allows gradual recovery from setback periods for increased energy savings.

Elegantly Sophisticated

The Robertshaw 300-229 takes comfort to the next level with state-of-the-art control for commercial applications.

Controlling your indoor environment is easy with standard features such as Auto Changeover, independent switching circuitry, Programmable Fan and selectable 2 or 4 events per day. Coupled to EEPROM permanent memory storage and a tamper-free control setting, this model provides worry-free operation.

Conventional control in an unconventional package. When you select a Robertshaw thermostat, you've made the choice of an industry partner that's been making quality products for over 100 years.

Lockable Keypad and Front Cover

Two levels of security against unwanted tampering.

Remote Sensor Capable

Connects to optional remote indoor or outdoor sensors for optimal comfort.



Technical service available:

1-800-445-8299

M-F 7:30 a.m. - 5:30 p.m. CST

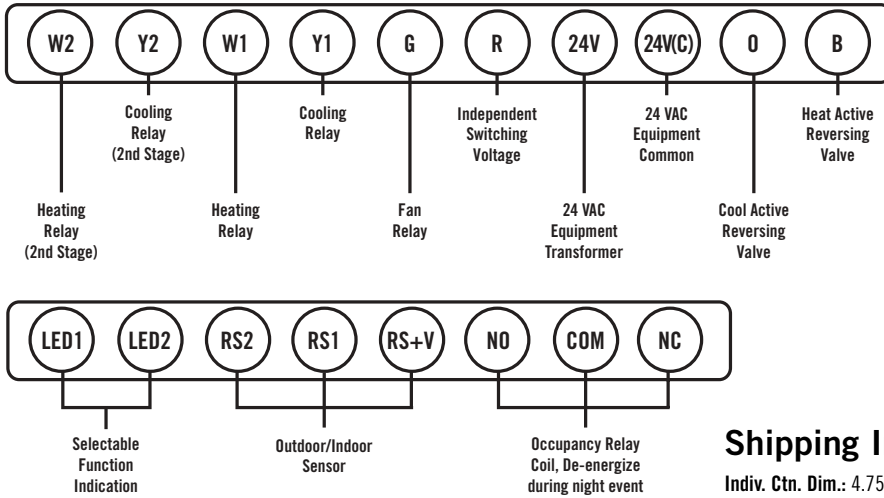


Robertshaw®

300-229

**DELUXE
PROGRAMMABLE
THERMOSTAT**

Terminal Designations



Optional Remote Sensors:

INDOOR **OUTDOOR**
10-528 10-529

THE ROBERTSHAW 300-229 REPLACES:

White-Rodgers Company*	1F97
Honeywell, Inc.*	T7300D2007

* Verify specific application requirements before substitution.

Shipping Information

Indiv. Ctn. Dim.: 4.75" x 6" x 1.75"
Master Ctn. Qty.: 20
Master Ctn. Dim.: 10" x 6.25" x 17.5"
Master Ctn. Cu. Ft.: .64
Master Ctn. Wt.: 15 lbs.
Max. Pallet Qty.: 1120
Max. Pallet Wt.: 860 lbs.

Item 10-528 & 10-529 Remote Sensor

Indiv. Ctn. Dim.: 4.75" x 6" x 1.75"
Master Ctn. Qty.: 40
Master Ctn. Dim.: 10" x 12.5" x 17.5"
Master Ctn. Cu. Ft.: 1.28
Master Ctn. Wt.: 14 lbs.

Specifications

Electrical rating: 24 Volt AC (20-30 VAC)
 0.05 amp - 0.75 amp per output
 3 Amp total maximum load (all terminals combined)
Temperature control range:
Heating: 40° - 88°F (6° - 30°C)
Cooling: 60° - 108°F (16° - 40°C)
Accuracy: +/-1°F at 68°F (0.5°C at 20°C)
Auto Changeover deadband: 2°F (1°C)
Temporary temperature override: 3 hours maximum
Remote sensor capable: Up to 6 remote sensors
System configuration: Multi-stage gas, oil or electric heating/cooling systems (up to 2 stages of heat, 2 stages of cool).

Other Multi Stage Gas / Electric Heat / Cool Thermostats

9515: Digital, Non-Programmable
9615: Programmable, 7 Day
9710: Deluxe Programmable, 7 Day
300-203: Digital, Non-Programmable

Architectural / Engineering Specification

The thermostat shall be a Robertshaw Model 300-229 or equivalent. The thermostat shall have seven-day programmability with up to 4 time/temperature changes per day. The thermostat will allow temporary temperature override for a maximum of 3 hours or the next setpoint time, whichever occurs first. The thermostat shall allow the user to program the system fan separately for continuous or automatic operation for each of the 4 time setpoints per day to meet local application and code requirements.

It shall be capable of operating with standard 24 VAC 2 stages of heat and 2 stages of cooling for gas, oil or electric heating and/or electric heating/cooling systems. The thermostat shall have an electrical rating of 0.75 amp maximum load per terminal, 3 amp total maximum load for all terminals combined. The thermostat shall have relay outputs with standard 24 VAC control circuits and be equipped with back-up circuitry to prevent loss of programming in memory during power outages.

The thermostat shall have automatic changeover capability to allow the thermostat to determine whether the heating or cooling program should be used to control room temperature.

The thermostat shall be equipped with trouble LED's for selectable programmed operation. The thermostat will have an auxiliary relay coil which energizes during the occupied periods and de-energizes during unoccupied periods.

The keypad and case shall have an integral lock to prevent tampering and/or the altering of the program. The switching voltage shall be independent of the heating and cooling system transformer. The thermostat will provide remote sensor capability for up to six temperature sensors (including main thermostat sensor). The thermostat shall be equipped with a 5-minute delay on break for compressor short cycle protection during cooling operation to prevent compressor damage.

Distributed by:



Climate Controls Americas
 515 South Promenade Avenue
 Corona California 92879-1736 USA
 Telephone +1 800 304 6563 Facsimile +1 800 426 0804
 Outside the USA +1 909 734 2600
www.icca.invensys.com
 ©2003 Climate Controls Americas 6/03 - #150-1556B